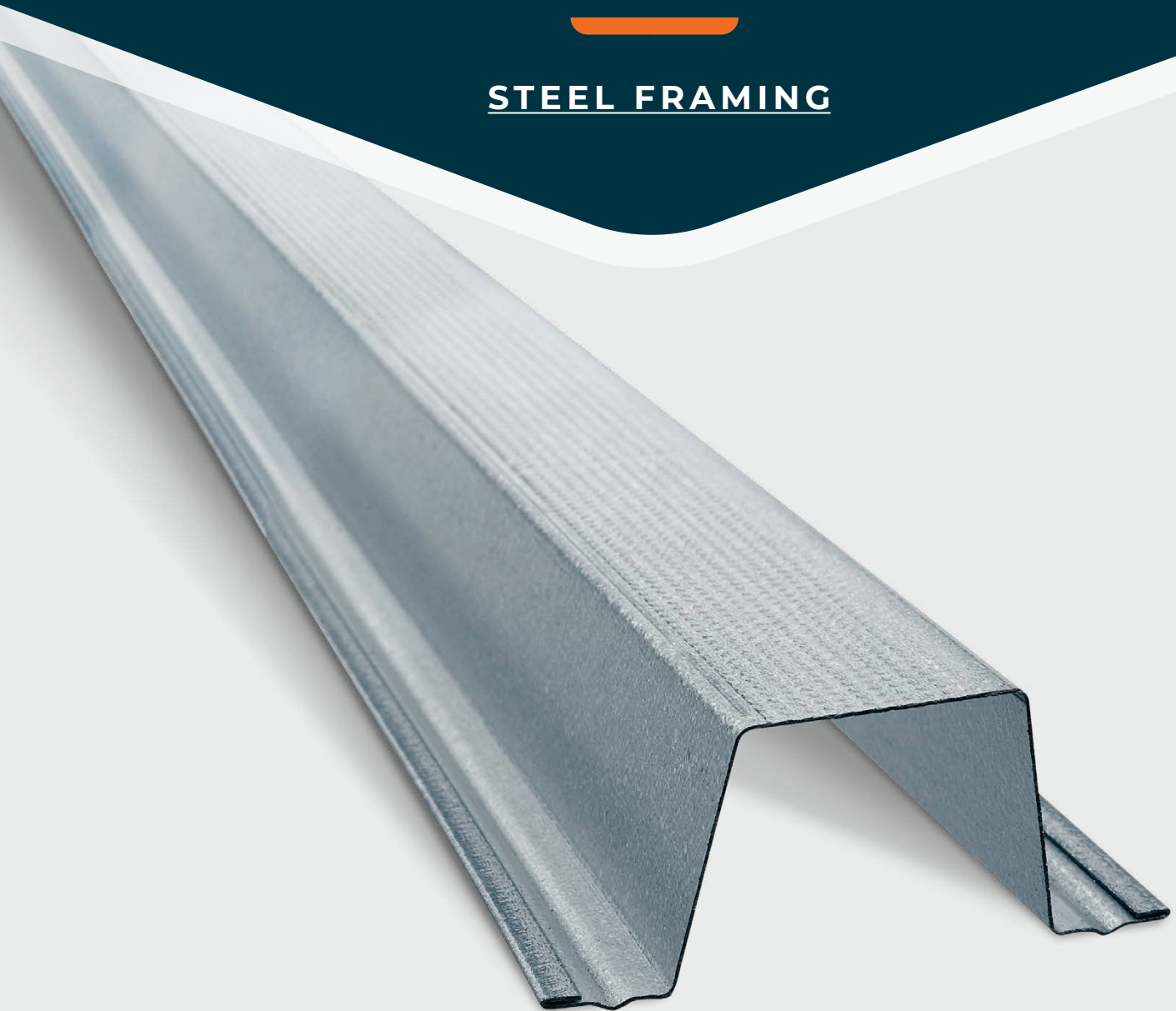


MATRIX
STEEL

Truecore[®] Steel Roof Battens

STEEL FRAMING



matrixsteel.au

Make it a
MATRIX.

Truecore® Steel Roof Battens

OVERVIEW

Material	Truecore® G550 - AM125
Gauges (BMT)	.48, .55, .75
Maximum Span	1200mm

DESIGN

Steel roof battens can be used in conjunction with timber or steel trusses.

Features

- Light, long and strong
- Embossed surface for grip and screw location
- End lapping over a truss for continuity and alignment
- Rolled safety edges
- Mitre cut both ends for hips and valleys

MATERIAL SPECIFICATION

Truecore® G550 - AM125 Complies with AS.1397

BASE METAL THICKNESS

.48, .55, .75 (not available in all locations)

MAXIMUM BATTEN SPACING FOR UPLIFT FORCES - CORRUGATED (0.42 BMT)

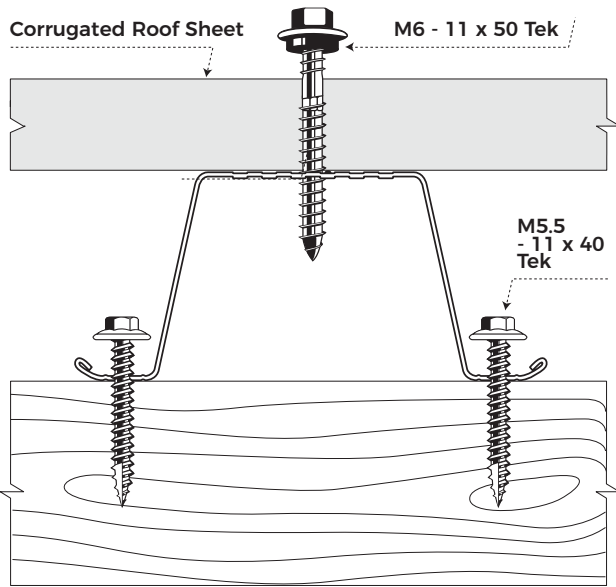
Batten Support – G550/1.0mm BMT (2 x 12-14 Hex. Head Tekes per support)

Roof Sheet/ Wind no. of Screws	AS 4055 Wind Class.	Span on Roof	TH4048		TH4055		TH4075		TH4048		TH4055		TH4075	
			Double Batten Span						Triple Batten Span					
			Batten Span (mm)						Batten Span (mm)					
			900	1200	900	1200	900	1200	900	1200	900	1200	900	1200
Corrugated 0.42/ 3 or 5 x #12-14 Hex. Head Tekes (Note 2) per support	N1	Single Span	700 (700)	700 (700)	700 (700)	700 (700)	700 (700)	700 (700)	700 (700)	700 (700)	700 (700)	700 (700)	700 (700)	700 (700)
		End Span	900 (900)	850 (850)	900 (900)	900 (900)	900 (900)	900 (900)	900 (900)	900 (900)	900 (900)	900 (900)	900 (900)	900 (900)
		Internal Span	1200 (1200)	1200 (1200)	1200 (1200)	1200 (1200)	1200 (1200)	1200 (1200)	1200 (1200)	1200 (1200)	1200 (1200)	1200 (1200)	1200 (1200)	1200 (1200)
	N2	Single Span	700 (700)	700 (700)	700 (700)	700 (700)	700 (700)	700 (700)	700 (700)	700 (700)	700 (700)	700 (700)	700 (700)	700 (700)
		End Span	900 (900)	610 (610)	900 (900)	770 (770)	900 (900)	900 (900)	900 (900)	720 (720)	900 (900)	900 (900)	900 (900)	900 (900)
		Internal Span	1200 (1200)	1120 (1120)	1200 (1200)	1200 (1200)	1200 (1200)	1200 (1200)	1200 (1200)	1200 (1200)	1200 (1200)	1200 (1200)	1200 (1200)	1200 (1200)
	N3	Single Span	700 (600)	700 (600)	700 (600)	700 (600)	700 (600)	700 (600)	700 (600)	700 (600)	700 (600)	700 (600)	700 (600)	700 (600)
		End Span	720 (720)	390 (390)	850 (750)	490 (490)	850 (750)	640 (640)	870 (750)	460 (460)	900 (750)	580 (580)	900 (750)	720 (720)
		Internal Span	1200 (1050)	710 (710)	1200 (1050)	890 (890)	1200 (1050)	1150 (1050)	1200 (1050)	840 (840)	1200 (1050)	1050 (1050)	1200 (1050)	1200 (1050)
	N4	Single Span	700	520	700	660	700	700	700	620	700	700	700	700
		End Span	480	260	570	330	570	430	580	310	650	390	650	490
		Internal Span	880	480	1040	600	1040	780	1060	570	1180	710	1180	880

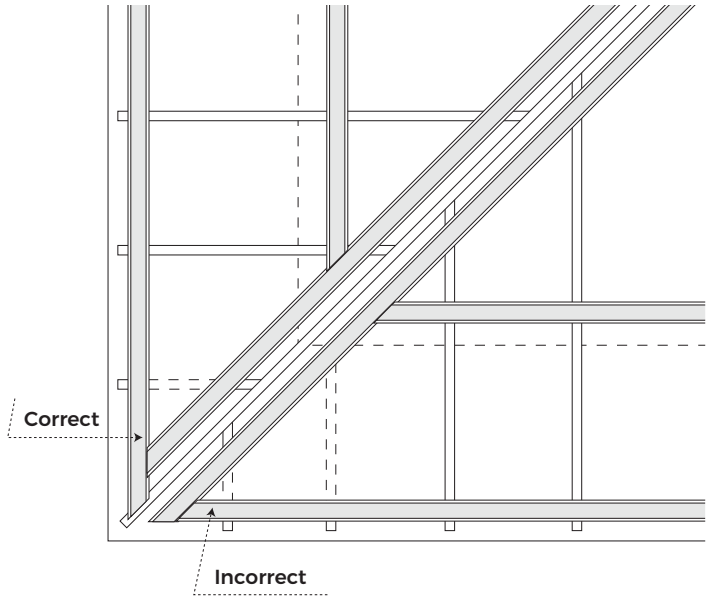
Notes:

1. Roof sheet spans in brackets () are for roof sheets connected with 3 screws per support.
2. M6 Roof Zips may be used instead of #12-14 Roof Tekes. Refer to Steeline product brochure to obtain correct roofing screw lengths.
3. Use #12-14x20mm Hex Head Tekes for fixing battens to steel supports and #12-11x40mm Hex Head Batten Zips for fixing to timber supports.
4. Exposed roof battens are not trafficable.
5. Table is valid for hardwood/softwood supports with either #10-12 or #12-11 Buildex Zips and a minimum embedment of 36mm.

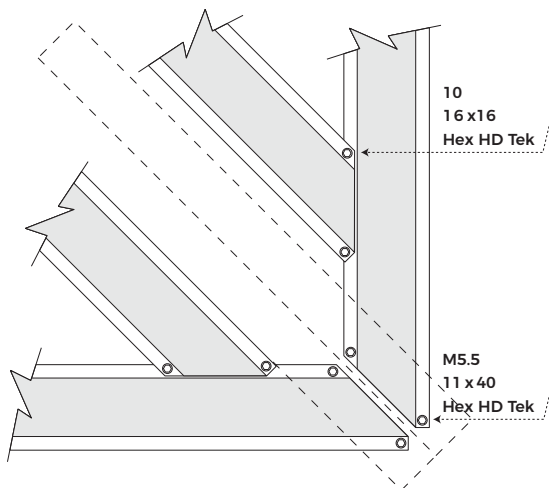
FASTENING ROOF SHEET TO BATTEN



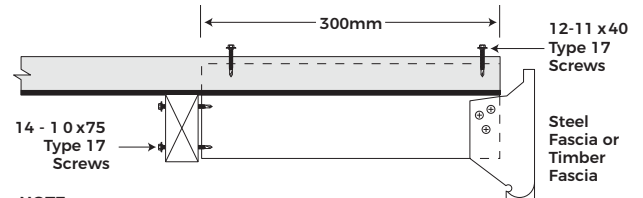
HIPS & CORNERS - BATTEN LAYOUT



CORNERS - MITRE CUT

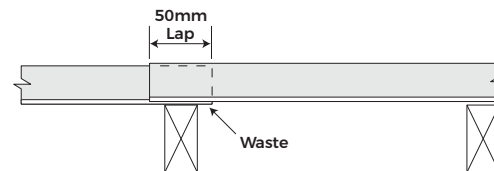


OVERHANGS/LAPPED JOINTS

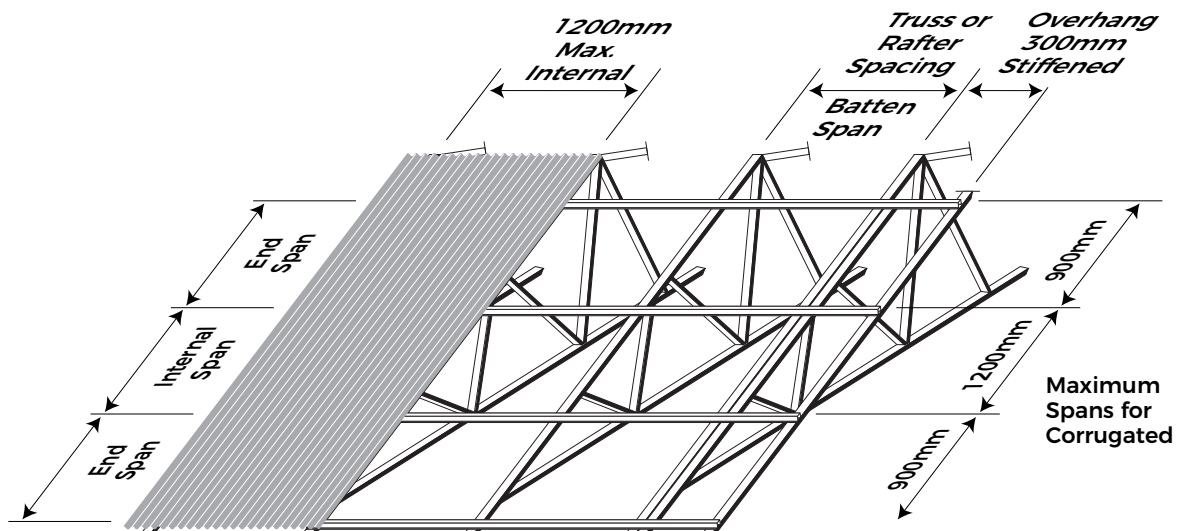


NOTE
Engineering details required for batten exceeding 300mm overhang

Overhead	Timber Section
300	125 x (F 11)



SPANS/OVERHANG



MATRIX STEEL

Ph. 1300 GO MATRIX (1300 466 287)
matrixsteel.au

GLADSTONE

94 Hanson Road,
Gladstone

BUNDABERG

73 Princess Street,
Bundaberg

GYMPIE

3/23 Pinewood Ave,
Gympie

HERVEY BAY

1/83 Beach Road,
Hervey Bay

SUNSHINE COAST

17 Fishermans Road,
Maroochydore

BRISBANE

1 Robart Court,
Narangba

LISMORE

9-11 Habib Drive,
South Lismore

Make it a MATRIX.

BL: QBCC 1023400 | NSW 262714C