

MATRIX
STEEL

Monsoon Gutter

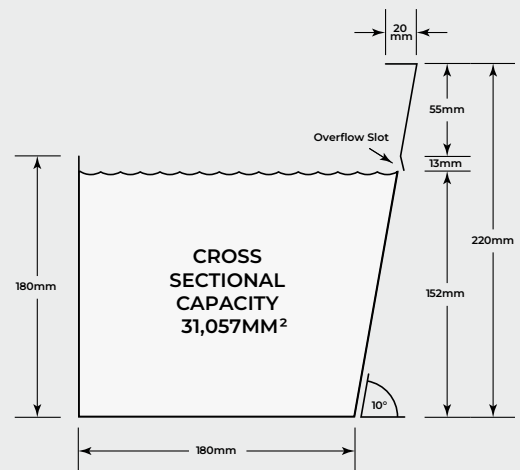
ROOFING



Monsoon Gutter

OVERVIEW

Gauge	0.42mm BMT
Largest Outlet	150mm



INTRODUCTION



Matrix Steel Monsoon® gutter is the ultimate in a commercial profile, specifically designed for use within high rainfall areas and for large expanses of water carrying surfaces. The large slots, wide cross section and the high front depth of the gutter allows for large deluges of water.

Fitted in conjunction with its purpose designed brackets which can be adjusted to any angle to suit the requirements of the job. Made from Zinalume & Colorbond® Steel it is available in a range of stylish colours that can match your existing structure or compliment your new building.

SPECIFICATIONS

Monsoon® gutter is manufactured from Bluescope Steel Zinalume® and Colorbond® steel. The front face of the gutter has been designed so that it can be adjusted to fit the purpose made brackets seamlessly without affecting the design or integrity of the profile. A slotted finish prevents water backflow in the case of gutter or downpipe blockage and are positioned 10mm below the top height of the back of the gutter.

Due to the extra wide width of 180mm, the gutter can be fitted with 150mm round downpipe outlets to allow for extra water drainage.

Monsoon® gutter can only be supplied in up to 8m lengths due to limitation in the manufacturing process. Please ensure that lengths supplied to Steeline are measured from the site and not from plans.

Brackets can be made to specifications to fit directly to the structural steel or supplied as standard to be fitted to the fascia.

When fitted to the fascia the brackets are designed so that they sit 4mm from the fascia and 10mm below the top of the fascia.

SUPPORT RECOMMENDATIONS

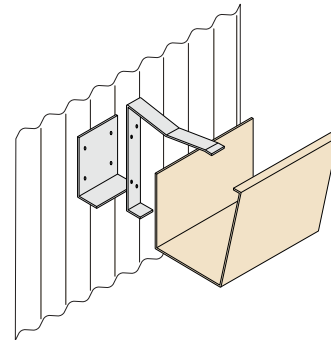
It is recommended that the Matrix Steel Monsoon® gutter brackets spacing should not exceed 1200mm or 900 mm. Please ensure that the correct bracket type is used for each sheeting profile.

CORRUGATE FIXTURE BRACKETS

Attaching the gutter to corrugated sheeting

Attach the "Support" angle brackets to the corrugate sheeting. Then fix the Monsoon® "Ridge" brackets to the "Support" brackets. Now hook the front of the gutter onto end of the long arm of the brackets, then slide the back of gutter under the long arm, until it is hard up to the back of the bracket. Push the gutter into the upright position, lifting the bottom of the gutter onto the platform provided by the bracket.

When the gutter is in the correct position, fix the gutter on the front top edge of the brackets long arm to complete the attachment.

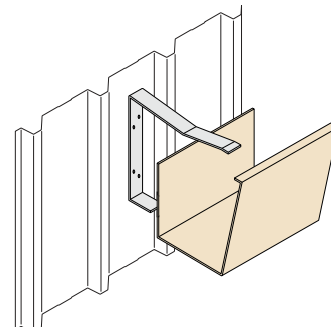


MATCLAD-762™ FIXTURE BRACKET

Attaching the gutter to MATClad-762™ sheeting

Position and attach the Monsoon® "Pan" brackets to the pan of the MATClad-762™ sheeting. Now hook the front of the gutter onto end of the long arm of the brackets, then slide the back of gutter under the long arm, until it is hard up to the rib face of the MATClad-762™ sheeting.

Push the gutter into the upright position, lifting the bottom of the gutter onto the platform provided by the bracket. When the gutter is in the correct position, fix the gutter on the front top edge of the brackets long arm to complete the attachment.



Colorbond® Classic Colours:



TECHNICAL DETAILS

The design and installation of guttering and downpipe systems must comply with the Building Code of Australia and referenced Australian Standards AS/NZS 3500 part 3 and AS/NZS 3500 part 5; as well as the Plumbing Code of Practice for your state. For more information about the relevant standards, please consult the office of Fair Training NSW website. The Legislation in some states (including New South Wales) requires that all gutter and downpipe installations be undertaken by a suitably licensed installer. (In New South Wales this means an installer who holds a current certificate issued by the NSW Office of Fair Trading.) Please refer to relevant Government agency for further details. Manufacturer's product is compliant with Australian Standards AS1562.1 and AS2728

MATRIX STEEL

Ph. 1300 GO MATRIX (1300 466 287)
matrixsteel.au

GLADSTONE

94 Hanson Road,
Gladstone

BUNDABERG

73 Princess Street,
Bundaberg

GYMPIE

3/23 Pinewood Ave,
Gympie

HERVEY BAY

1/83 Beach Road,
Hervey Bay

SUNSHINE COAST

17 Fishermans Road,
Maroochydore

BRISBANE

1 Robart Court,
Narangba

LISMORE

9-11 Habib Drive,
South Lismore

Make it a MATRIX.

BL: QBCC 1023400 | NSW 262714C